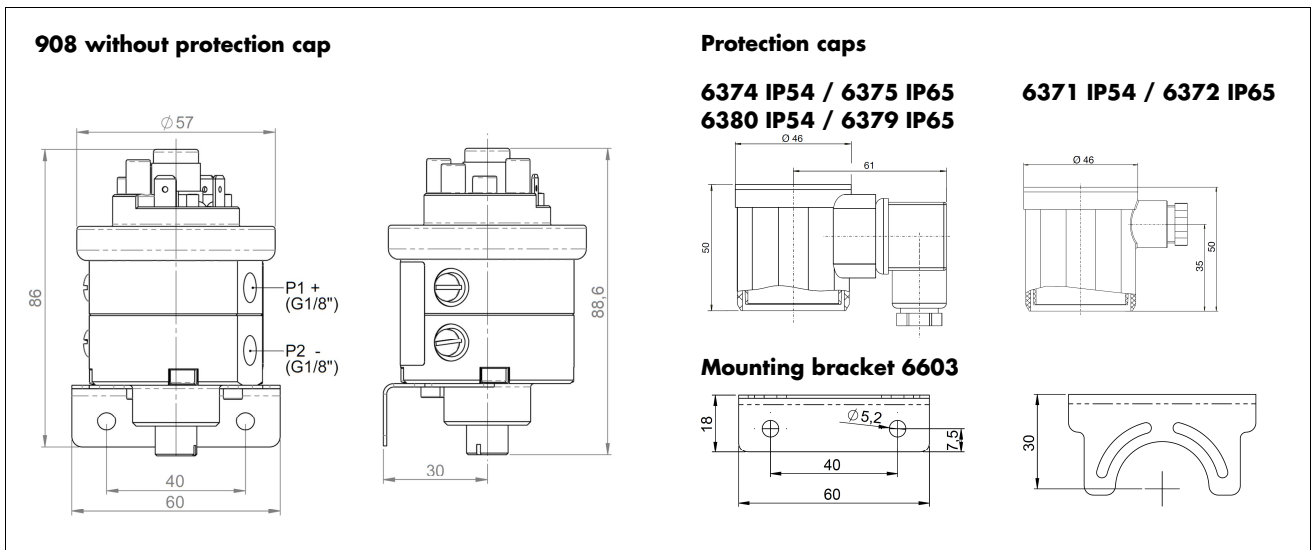


Differential pressure switch 908



Order matrix		908.3	X	X	X	X	X	X	X
Pressure ranges	40 ÷ 200 mbar 150 ÷ 1000 mbar		2						
Accuracy	Standard		4						
Overpressure range	10 bar			1					
Diaphragm material	NBR EPDM Silicone FKM / FPM				1				
Pressure connection	G 1/8" inner thread, Brass						M		
Switch contacts	Low voltage Gold-plated 6A / 250VAC AgNi 10A / 250VAC AgNi							1 4 5	
Protection cap	Without protection cap Protection cap IP54 with cable conduit M16 Protection cap IP65 with cable conduit M16 Protection cap IP54 with connector, Shape A, to EN 175301-803, with cable Protection cap IP65 with connector, Shape A, to EN 175301-803, with cable Protection cap IP54 with connector, Shape A, to EN 175301-803, without cable Protection cap IP65 with connector, Shape A, to EN 175301-803, without cable							0 1 2 3 4 5 6	
Mounting bracket	Without mounting bracket								0
L-shaped	With mounting bracket								1

Accessories	Article-No
Protection cap IP54 with cable conduit M16	6371
Protection cap IP65 with cable conduit M16	6372
Protection cap IP54 with connector, Shape A, to EN 175301-803, with cable	6380
Protection cap IP65 with connector, Shape A, to EN 175301-803, with cable	6379
Protection cap IP54 with connector, Shape A, to EN 175301-803, without cable	6374
Protection cap IP65 with connector, Shape A, to EN 175301-803, without cable	6375
Mounting bracket L-shaped	6603

