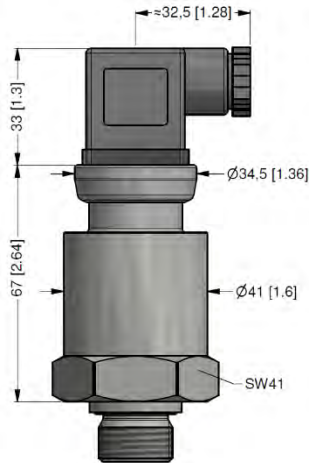
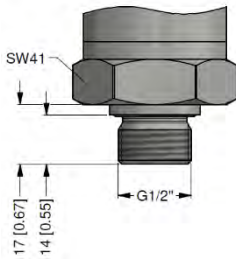




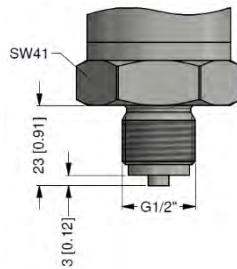
Dimensions (mm / in)



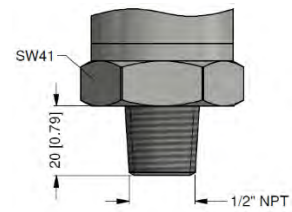
Mechanical connection (dimensions mm / in)



G1/2" DIN 3852

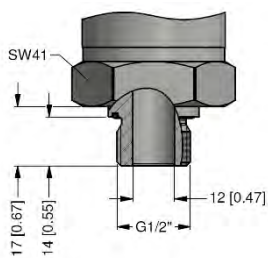


G1/2" EN 837

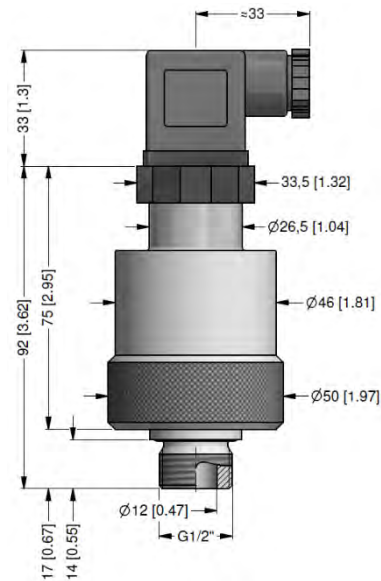


1/2" NPT

G1/2" DIN 3852 open port, bore 12 mm:



housing and pressure port in stainless steel



housing and pressure port in PP / PVDF
for $p_N \leq 10$ bar, without explosion protection

