



STH-42

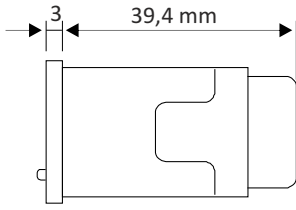
- up-down hour meter
- self-powered (lithium battery)
- 7 years battery lifetime
- input: dry contact / OC / voltage
- remote reset
- small panel size DIN 48 x 24 mm

The **STH-42** series is a self-powered LCD hourmeter in a small form. With a panel size of DIN 48 x 24 mm, it is perfect for limited space installations. It is powered by a replaceable lithium battery that lasts approximately 7 years, no external power required. The **STH-42** series is available in 7 digits with 8 mm height figures with remote reset. Input signal includes dry contact, open collector, voltage, wide range voltage, with max. resolution 1 count per 1/10 hour. The front panel protection is IP54 and wiring connection is easily done via the terminal block connector, making it secure and reliable.

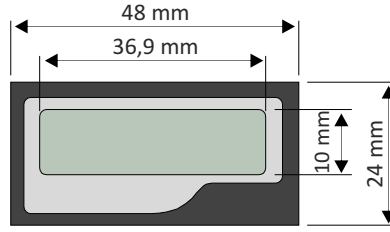
TECHNICAL DATA

Power supply	3.6V 1/2AA lithium battery (inside), 7 years (replaceable)
Display	7-segment LCD, 7 digits, 8 mm high
Inputs	counting, pulse: <u>dry contact / Open Collector / voltage (NPN transistor)</u> : max. sink current: 8 μ A, input levels: low 0,8 V; high 2 V - 30 V, max. count speed 30 Hz <u>wide-range voltage</u> : input levels: low 0 - 10V AC/DC, high 20 - 250V AC/DC, max. count speed 20 Hz; input impedance: 300 k Ω
Reset	front or remote reset: dry contact / Open Collector / voltage (NPN transistor), min. pulse width 6 ms, max. sink current: 8 μ A
Displayed values range	0.0 - 999999.9
Resolution	1 count per 1/10 hour
Operating temperature	-10°C ÷ +55°C
Storage temperature	-20°C ÷ +65°C
Humidity	permissible 25 ÷ 85% RH (non-condensing)
Protection class	IP 54 (panel surface)
Wiring	M3 terminal screw
Case	panel mounting
Dimensions	case (WxHxD): 48 x 24 x 42,4 mm panel cut-out dimensions: 45 x 22,2 mm
Weight	50 g (battery included)

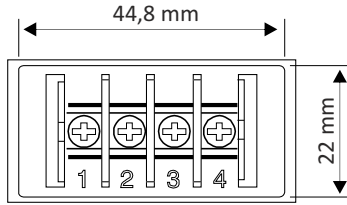
DIMENSIONS



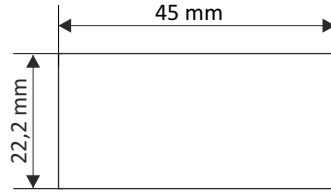
Side view



Case dimensions

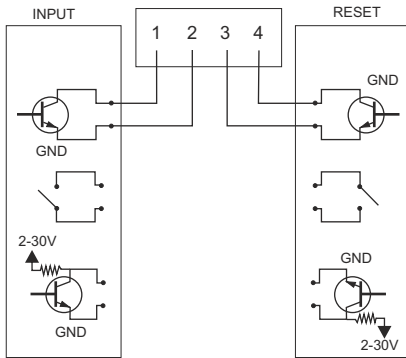


Rear view

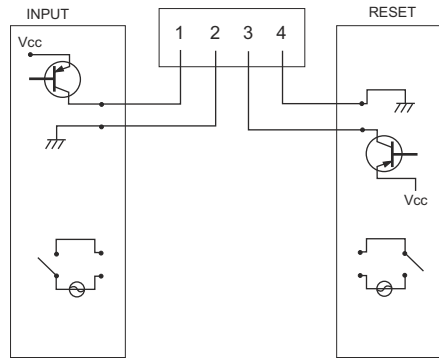


Panel cut-out dimensions

EXAMPLARY PIN ASSIGNMENT



Version with contact input / OC



Version with voltage input

ORDERING

STH-42-1X00-0-0-001

input:

4 : dry contact/OC/NPN

E : wide range voltage

